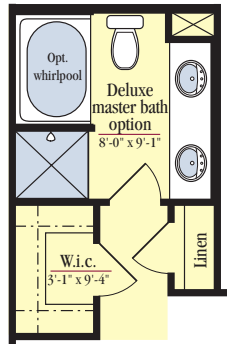
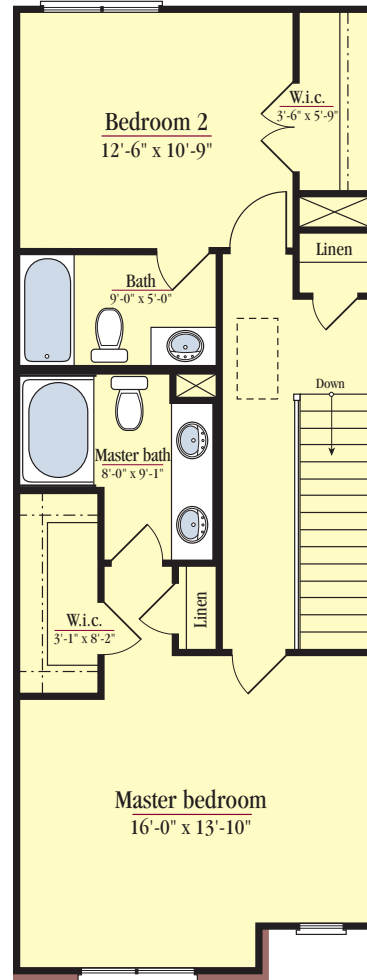


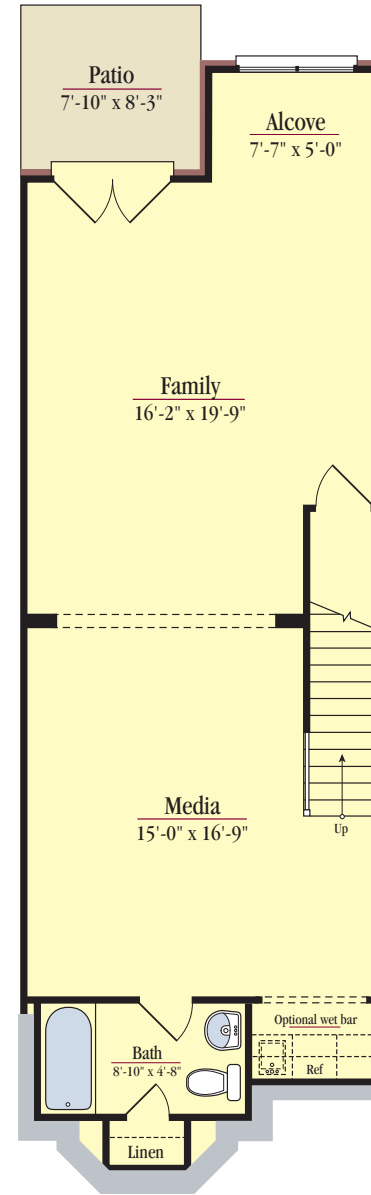
First floor



Deluxe master bath



Second floor



Finished basement

- * Unfinished basement option available with bath and wet bar roughed in
- * Open basement available

Pinecroft

Approx. 1,596 heated sq ft on 1st and 2nd floors; Approx. 829 heated sq ft if finished basement.

Elevations and floor plans are artist's renderings and as such, are for illustrative purposes only, and are not scale drawings. All room dimensions are approximate. Dimensions, features, options, elevations, windows, doors and ceilings are subject to change without notice, and may vary per plan. Options are available at an additional cost and vary per plan. This marketing material is not part of any legal contract.

